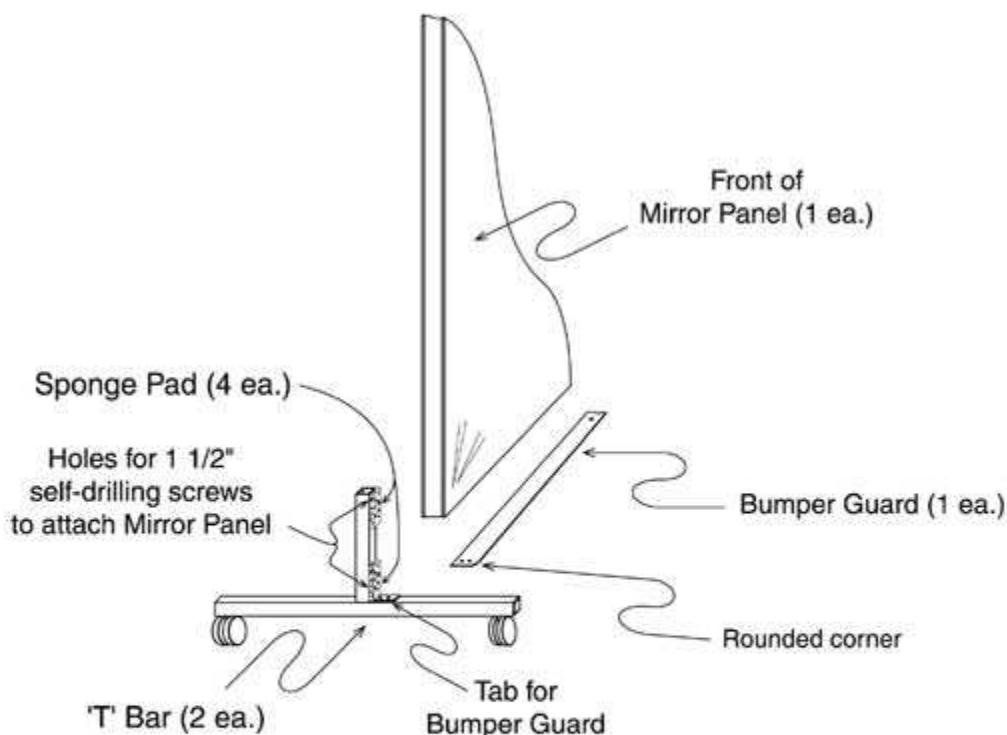




800-331-4362
 5747 West Isabella Road
 Mt. Pleasant MI 48858

Vertical Mirror Assembly



Fasteners (approximately actual size):

Countersunk Screws (4 ea.) 1 1/2" Self-drilling Screws (4 ea.) 3/4" Self-drilling Screw (1 ea.)



All Mirror Panels come with two pre-installed aluminum angle brackets for wall mounting. Remove these brackets if you are using the Alva's mirror base. Keep the clear plastic sheet over the mirror face to help protect it while mounting the bases.

1) Attach Bumper Guard to tabs in 'T' Bars using the 4 Countersink Bolts provided. Align rounded corner of Bumper Guard to rounded corner of tab for Bumper Guard. Tighten these Countersink Bolts completely with a Phillips head screwdriver.

2) Have a helper hold Mirror Panel centered on base. Side edges of Mirror Panel should be centered and flush with vertical side edges of 'T' Bar.

3) Drill drive four 1 1/2" Self-drilling Screws through the holes in the vertical square tube of 'T' Bar into the Mirror Panel's aluminum frame. Tighten screws up to the point where sponge pads on 'T' Bar begin to slightly compress. Be careful not to over tighten screws to avoid stripping. Do not press excessively on mirror surface.

4) Plastic protective cover may now be removed from Mirror Panel.

5) Repeat process of drill driving through hole in Bumper Guard using 3/4" Self-drilling Screw. Secure Bumper Guard to bottom of Mirror Panel frame using the one 3/4" Self-drilling Screw provided. Do not over tighten screw.

Alva's recommends that all prospective Glassless mirror customers obtain a 12" x 8" sample of the mirror panel from us before purchase to ensure that the product is appropriate for their needs. Due to the uniqueness of this product, most people are not familiar with it.

All customers must pay Alva's standard return policy of 25% re-stock fee if an order is cancelled after 24 hours of being placed, in addition to shipping fees if the order has already been shipped. This is why we encourage you to see a sample before purchase.

If your mirror has accumulated excessive dust and debris, before attempting to clean the mirror, use compressed air (i.e. Dust Off which can be found in most photographic stores) to make sure all dust and debris are off the mirror.

Use a clean 100% cotton or optical grade cleaning cloth (no lint) and Windex. Apply Windex to cloth until cloth is damp (saturated) but not dripping. Clean the mirror in one direction then stroke using a fresh part of the cloth after each pass.

If you have any questions, please call us at 1-800-331-4362.